

# MOUNTING INSTRUCTIONS

## WALL RACK 1200

**HANG-A-PLAN**  
PLAN FILING SYSTEM  
[www.hang-a-plan.com](http://www.hang-a-plan.com)

### To assist with mounting, use LOCATING SLOT

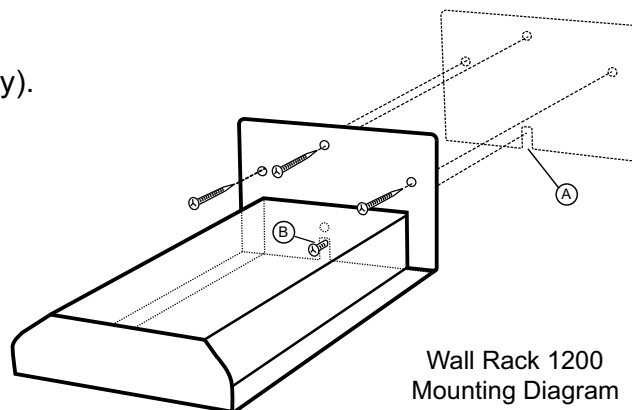
Start with one screw, secured 3/4's into the wall at desired height. Use the LOCATING SLOT (A) with the screw (B) to help hold the Wall Rack while mounting.

### For Mounting on Brick Walls:

1. Drill holes into either bricks or mortar.
2. Insert plastic plugs (to be purchased separately).
3. Screw as normal into plugs.

### For Mounting on Plaster/Peg Board Walls:

1. Drill hole into plaster/peg board and use two toggle bolts (not included).
2. Alternatively, find beam in wall and screw direct to beam with the three wood screws provided.



Wall Rack 1200  
with QUICKFILE Binders

