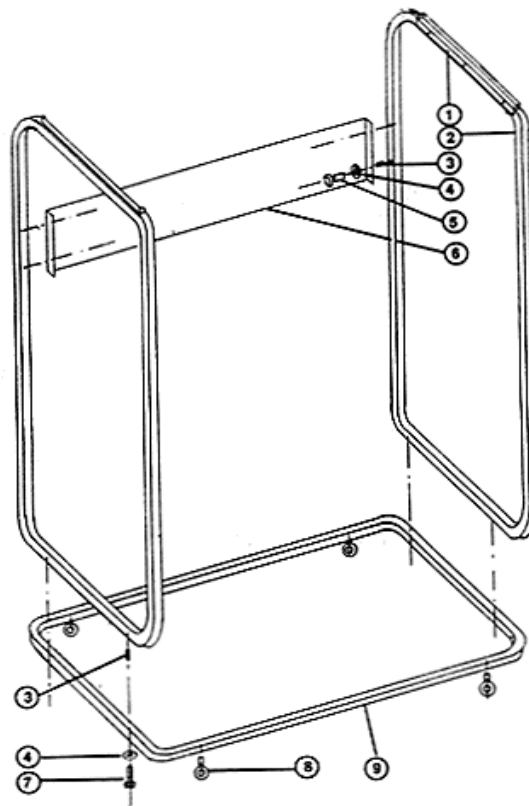


# ASSEMBLY INSTRUCTIONS

## Hang-A-Plan Drop Mount Trolleys

- STEP 1.** Do not tighten any bolts until all parts are in position.
- STEP 2.** Screw 4 castors (Fig.8) into nutserts on base frame (Fig.9).
- STEP 3.** With assembled base frame on floor, select side frame (Fig2). Stand side frames up as shown, making sure the holes in side frame are facing inwards and to the rear. Fix to base using bolts and washers (Fig.4&7).
- STEP 4.** Repeat Step 2 to secure second side frame.
- STEP 5.** Locate the back plate (Fig.6) between side frames and fix with bolts. (Four 8x20mm bolts and washers) (Fig.4&5).
- STEP 6.** Tighten all bolts.
- STEP 7.** Rest binders onto the binder support. (Fig.1)
- STEP 8.** The Drop Mount Trolley is now ready for use.

Note: For customer convenience nutserts are already inserted in each frame to accept bolts and castors.



### CONTENTS

1. Binder support	Qty. 2	6. Back plate	Qty. 1
2. Side frame	Qty. 2	7. 8 x 40 hex head bolts	Qty. 4
3. Nutserts (fitted)	Qty. 8	8. Castors	Qty. 4
4. 8 x 16 flat washers	Qty. 8	9. Base Frame	Qty. 1
5. 8 x 20 hex head bolts	Qty. 4		